



EST 2015

SolarSparkle

SPECIALIST SOLAR PANEL CLEANERS

2021



Call us Today **01275 375 453**

Email us on **info@solarsparkle.co.uk**

FULL UK COVERAGE

Solar Sparkle was established in 2015 and is your best choice for none electrical planned and preventative maintenance.

We specialise in cleaning commercial ground mount solar, roof mount solar and landscape management activities across the United Kingdom.

Through our extensive experience we have established the most efficient cleaning techniques for any PV configuration.

We pride ourselves in offering market leading rates to our clients.

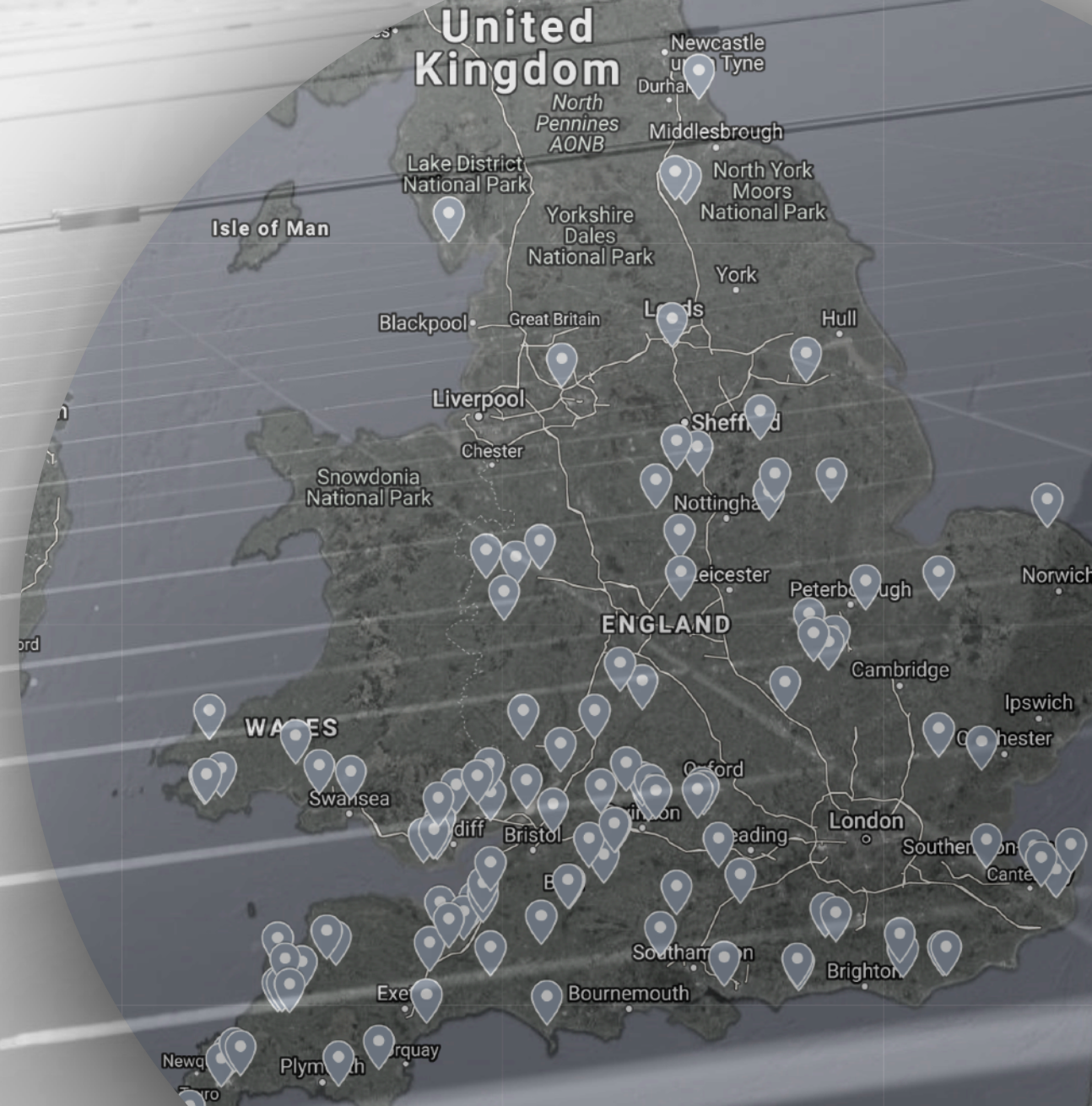
Full reports are provided to meet our clients needs.



We currently hold a cleaning portfolio nationwide and have cleaned over 3 GW to date.

Call us today **01275 375 453**

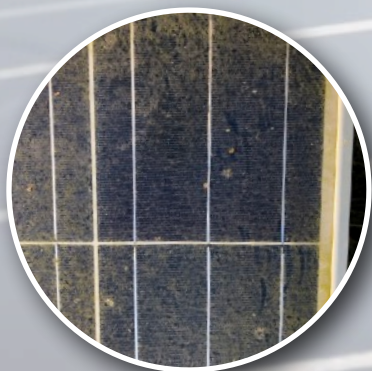
Email us on **info@solarsparkle.co.uk**



THE IMPORTANCE OF MAINTAINING YOUR INVESTMENT

Solar modules are susceptible to dirt, dust, pollen, minerals, salts, pollution and bird droppings which cause shading and decrease the efficiency of the PV cells

We recommend cleaning your panels at least once per annum. Additional cleans may be required where sites are located in coastal areas, surrounded by large trees, affected by working farms, motorways or quarries.



SolarSparkle offer bespoke packages all year round to keep your solar panels clean - maximising your investment.

Call us today **01275 375 453**

Email us on **info@solarsparkle.co.uk**

CLEANING METHODS

Solar Sparkle offer 3 cleaning methods to cater for any PV system. The appropriate method can be advised based on the PV system.

ROBOT

MACHINE

HAND CLEAN

To protect your solar modules we deionize our own water to 10 parts per million - removing harmful substances.



Risk assessments and method statements are provided before work commences and are strictly followed by our fully trained staff. We are fully insured above the standard rate with £10 million public liability cover.

Call us today **01275 375 453**

Email us on **info@solarsparkle.co.uk**

MACHINE

SUNBRUSH - 1.5 - 8m

Compatible with most configurations of ground mount systems from 1.5m to 8m in height.

A speedy solution for high efficiency cleaning of the photovoltaic module surface.

The Washtronic sensor ensures that bumps and ruts in the landscape are corrected in order to eliminate damage to the photovoltaic system.



Call us today **01275 375 453**

Email us on **info@solarsparkle.co.uk**

ROBOT

WASHPANEL- EVO 350

Our light weight supervised robots are suitable where access is not possible with plant machinery due to the narrow distance between solar arrays or inaccessible landscapes.

With no heavy vehicles or machinery required, damage to the landscape is completely avoided.



Call us today **01275 375 453**

Email us on **info@solarsparkle.co.uk**

MANUAL

PROFESSIONAL HAND-CLEANING

Where other methods are not appropriate, our hand cleaning teams manually clean using industry approved water-fed brush heads.



Manpower can be deployed to meet customers requirements for any size project.



Call us today **01275 375 453**

Email us on **info@solarsparkle.co.uk**

ROOF MOUNTED CLEANING

We have a specialist team that focus on hand cleaning roof mounted solar systems.

We offer bespoke solutions where access can be problematic.



From small systems to multi-megawatt systems. We cover them all.



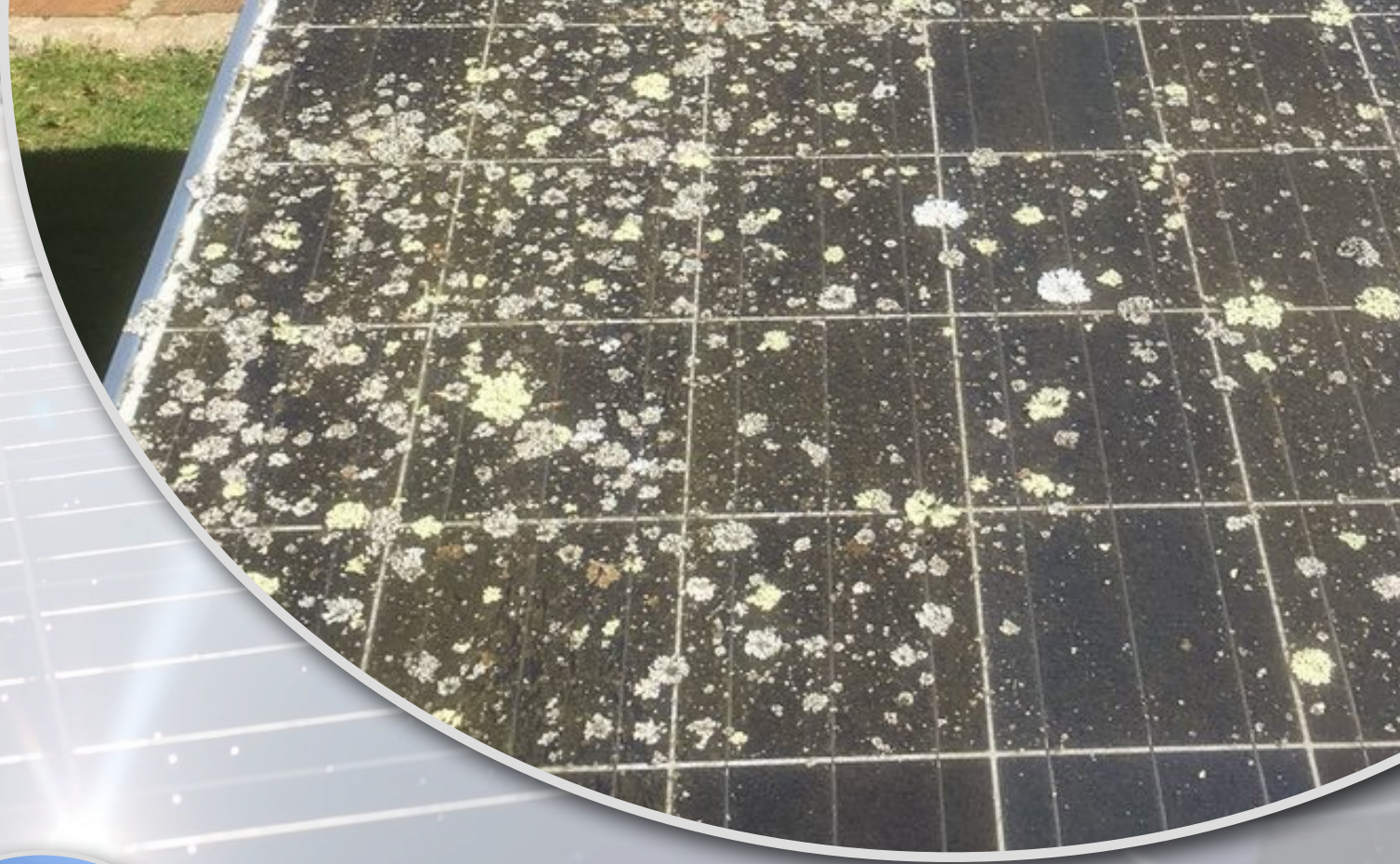
Call us today **01275 375 453**

Email us on **info@solarsparkle.co.uk**

LICHEN REMOVAL

Lichen grows on solar panels that have not been cleaned properly or frequently and is difficult to remove. Through our experience we find growth on most UK sites.

Lichen is an organism that is different from algae, but arises from algal growth. Algal growth starts off in microscopic levels and only becomes visible when in great volume. Lichens are not plants and do not need a continuous flow of water, they produce their own food using photosynthesis. Lichen thrive in the wet, warm, sunny environments.



Solar Sparkle have extensive experience in the removal of lichen. We offer both chemical and none chemical solutions.

Call us today **01275 375 453**

Email us on **info@solarsparkle.co.uk**

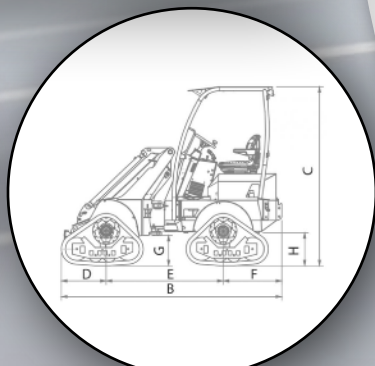
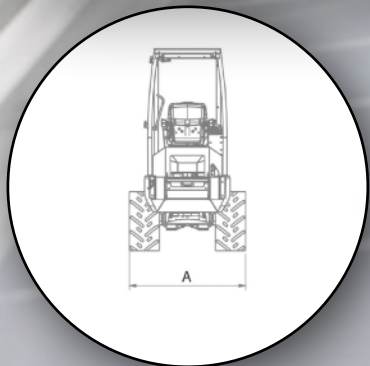
UTILITY VEHICLES

Our articulated compact loaders, with track drive, uses four hydraulic motors to distribute power evenly to each track and is compatible with our Sunbrush systems.

The wide track provides excellent traction and low ground pressure, at only 170g/cm² minimising damage to the landscape.

The compact loaders allows us to navigate areas that are inaccessible by larger vehicles.

A 1490mm	C 2370mm	E 1550mm	G 400mm
B 2920mm	D 595mm	F 775mm	H 440mm



Call us today **01275 375 453**

Email us on info@solarsparkle.co.uk

LANDSCAPE MANAGEMENT

In addition to Solar Panel Cleaning we also provide landscape management services to ensure your grounds are kept in prime condition:

- Grass Cutting
- Weed Control
- Chemical Spraying
- Strimming
- Tree Maintenance
- Hedge Cutting
- Fencing



Call us today **01275 375 453**

Email us on **info@solarsparkle.co.uk**



SolarSparkle

Contact us for a free onsite no obligation quotation

Tel: 01275 375 453

Email: info@solarsparkle.co.uk

www.solarsparkle.co.uk

Registered address: Lodway Farm Cottage, 35 The Breaches, Easton in Gordano, Bristol BS20 0LY